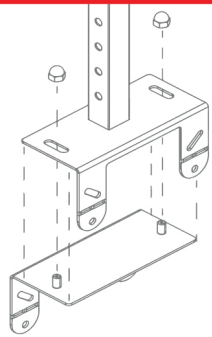




DIY INSTALLATION GONDOLA SIGNS

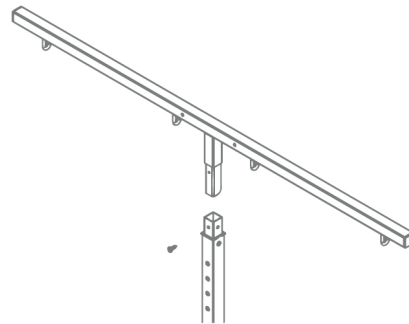


DIY
INSTALL
VIDEOS
SCAN
HERE

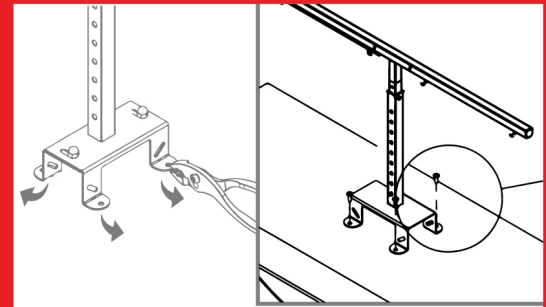


SLIDE TO DESIRED WIDTH
& TIGHTEN DOWN
CONTROL SCREW

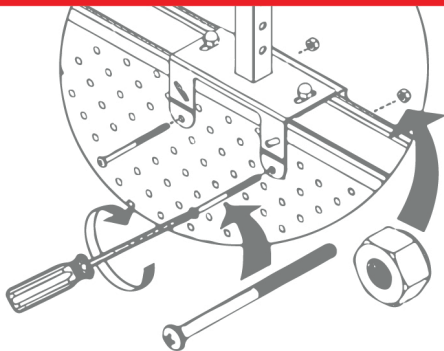
1 ASSEMBLE BASE BRACKET
AND ADJUST TO SHELF WIDTH



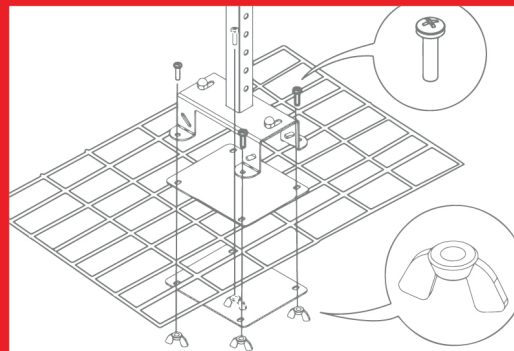
2 FIT TOP CROSSBAR INTO
TOP SLOT AND SECURE WITH
PROVIDED SCREW



3 TOP MOUNT:
A: FOLD TABS FLAT
B: DIRECT MOUNT TO SURFACE
WITH PROVIDED SCREWS



4 SADDLE MOUNT:
A: PLACE OVER UPRIGHT
& MARK HOLES
B: PRE-DRILL ALL THE WAY
THROUGH
C: PLACE BRACKET BACK AND RUN
BOLTS THROUGH, THEN CAP
WITH NUTS AND TIGHTEN



5 WIRE SHELVING:
A: POSITION PLATES ON
EITHER SIDE OF WIRE RACK
B: RUN BOLTS THROUGH EACH
LAYER AND SECURE WITH
BUTTERFLY NUTS



6 ORGANIZE AND HANG
THE SLATS IN THE ORDER YOU
WOULD LIKE

VISIT WWW.AISLESIGNDUDE.COM FOR OUR PRO INSTALL SERVICES



PRO SERVICES